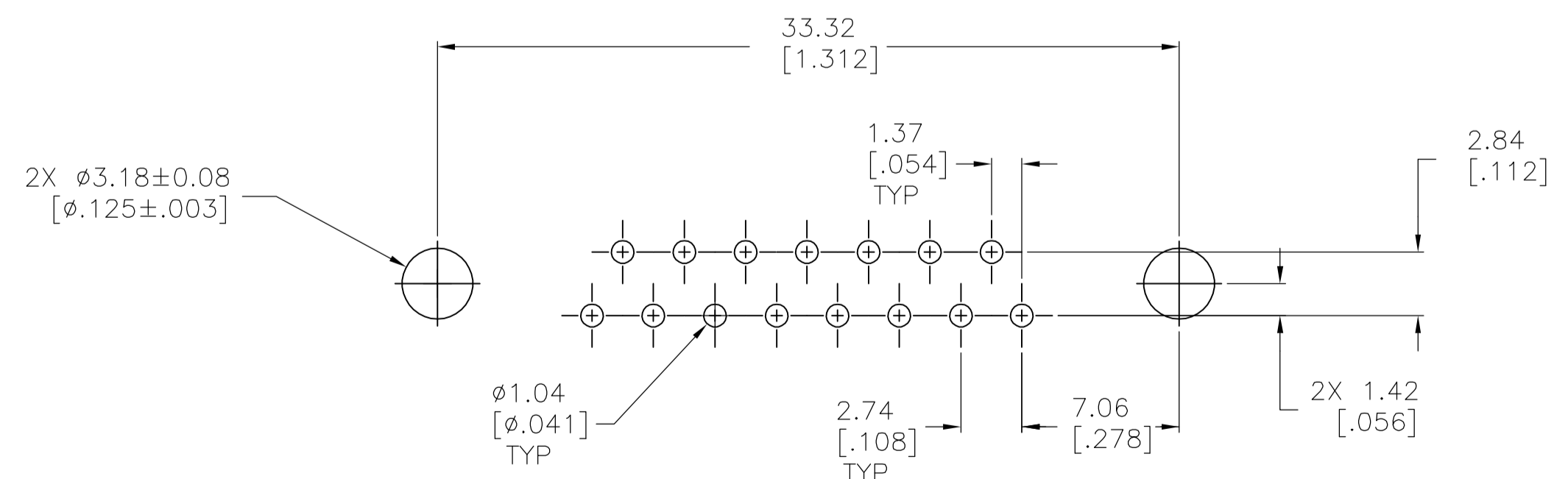
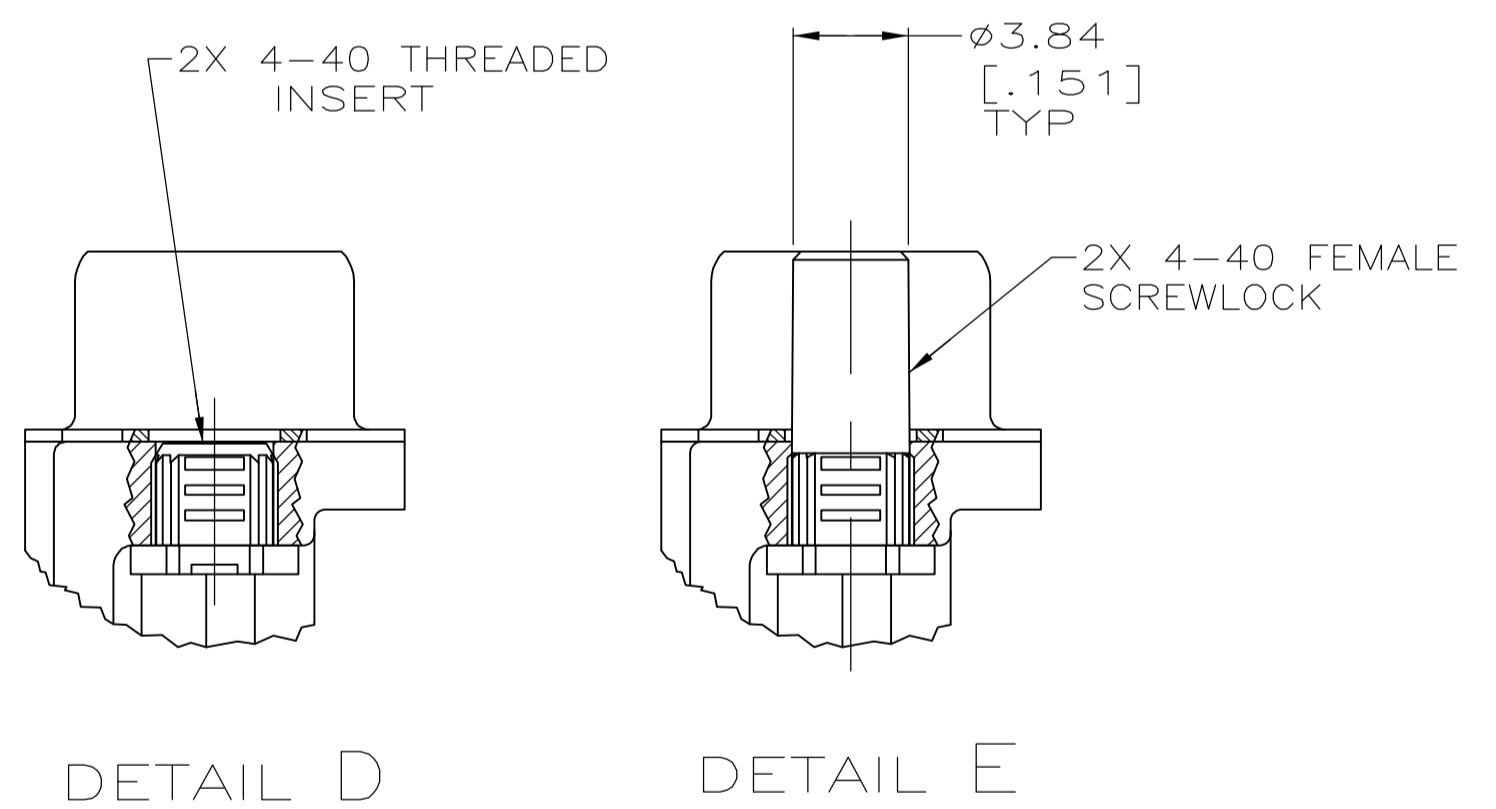


- 1 MATERIAL:
 HOUSING : NYLON OR POLYESTER, FLAME RETARDANT, UL 94V-0 RATED, GLASS FILLED, BLACK.
 CONTACTS: BRASS.
 SHELL: CARBON STEEL.
 EYELETS: BRASS
 BOARDLOCKS: COPPER ALLOY.
 INSERTS: ZINC ALLOY
 SCREWLOCKS: ZINC ALLOY
- 2 FINISH:
 CONTACTS: SEE TABLE
 SHELL: 2.54µm [.000100] MIN TIN OVER 1.27µm [.000050] MIN COPPER.
 EYELETS: 5.08µm [.000200] MIN TIN OVER COPPER FLASH.
 BOARDLOCKS: 5.08µm [.000200] MIN TIN OVER 1.27µm [.000050] MIN NICKEL.
 INSERTS: CLEAR CHROMATE
 SCREWLOCKS: CLEAR CHROMATE.
- 3 GOLD PLATED FOR A LENGTH OF 3.81 [.150] MIN FROM MATING END, GOLD FLASH IN MATED AREA. 2.54µm [.000100] MIN TIN FOR A LENGTH OF 3.56 [.140] MIN FROM OPPOSITE END, BOTH OVER 1.27µm [.000050] MIN NICKEL.
- 4 GOLD PLATED FOR A LENGTH OF 3.81 [.150] MIN FROM MATING END, 0.76µm [.000030] MIN GOLD IN MATED AREA, 2.54µm [.000100] MIN TIN FOR A LENGTH OF 3.56 [.140] MIN FROM OPPOSITE END, BOTH OVER 1.27µm [.000050] MIN NICKEL.
 -OR-
 GOLD FLASH OVER PALLADIUM NICKEL PLATED FOR A LENGTH OF 3.81 [.150] MIN FROM MATING END, 0.76µm [.000030] MIN PALLADIUM NICKEL IN MATED AREA, 2.54µm [.000100] MIN TIN FOR A LENGTH OF 3.56 [.140] MIN FROM OPPOSITE END, BOTH OVER 1.27µm [.000050] MIN NICKEL.
- 5 DIMENSION APPLIES FROM CENTER OF CONTACTS.



P.C. BOARD MOUNTING DIMENSIONS
 P.C. BOARD THICKNESS: 1.57 [.062]



SEE DETAIL E	△	5747841-6
SEE DETAIL D	△	5747841-4
SEE DETAIL D	△	5747841-3
-	△	5747841-2
MOUNTING HARDWARE	CONTACT FINISH	PART NUMBER

THIS DRAWING IS A CONTROLLED DOCUMENT.		DWG NO. MCMASTER 15JULY05	Tyco Electronics Corporation Harrisburg, Pa 17105-3608
DIMENSIONS: mm [INCHES]		CHK S. BOLASH 15JULY05	
TOLERANCES UNLESS OTHERWISE SPECIFIED:		APPD S. BOLASH 15JULY05	NAME
0 PLC ± -	1 PLC ± -	2 PLC ± -	PRODUCT SPEC
3 PLC ± 0.13(.005)	4 PLC ± -	ANGLES ± -	APPLICATION SPEC
MATERIAL	FINISH	WEIGHT	SIZE CAGE CODE DRAWING NO
1	2	-	A1
CUSTOMER DRAWING		SCALE 4:1	SHEET 1 OF 1 REV A